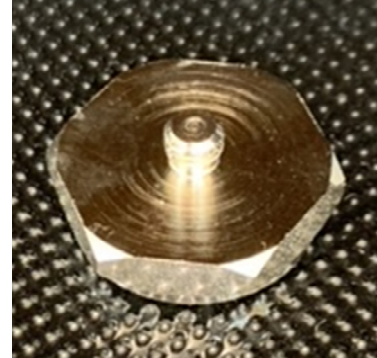


- Electrically isolated
- Pull force – 5kg nom.
- -70°C to +200°C range
- 10/32UNF integrated stud
- 21mm Across flats
- 9.9mm height
- Low mass – 22gm

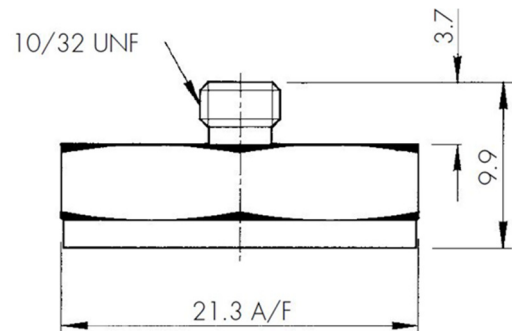


The KMMAG-21S is an isolated magnetic mounting base for use with accelerometers and other sensors requiring surface mounting. It features a nickel plated mild steel body and a PTFE isolating washer. This solution solves issues of earth loops causing interference in data signals from sensors.

The integral mounting stud limits the use of the KMMAG-21S to sensors with a 10/32UNF tapped mounting hole. For greater flexibility for other mounting requirements use the KMMAG-21 also available from Kemo Ltd.

Note:

When using magnetic mounts with dynamic devices such as accelerometers, careful consideration should be applied to the type of surface finish on the test item, it is critical a smooth surface is present to avoid chattering of the magnet which will cause noise and data errors.



Materials List:

Body: Mild steel nickel plated

Insulator: PTFE

Magnet: Nickel plated Neodymium Iron Boron

Pull Force: 5kg nom.

Mounting Torque: 1.2Nm

Due to continued product development Kemo Limited reserve the right to change specification without notice.

Kemo Limited

First Floor, 33 King Street, Thetford, Norfolk, IP24 2AW, United Kingdom

+44 (0)1474 705168

www.kemo.com sales@kemo.com