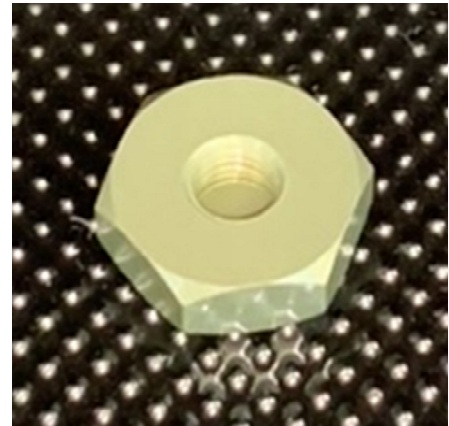


- Electrically isolated
- Lightweight – 1.5gm
- Aluminium body, hard anodised
- -70°C to +200°C range
- 10/32UNF tapped hole
- 12.7mm Across flats



The KMISO-ADH is an adhesive mounting base for use with accelerometers and other sensors requiring surface mounting. It features an aluminium body which has been hard anodised to provide electrical isolation from the mounting surface. This solution solves issues of earth loops causing interference in data signals from sensors.

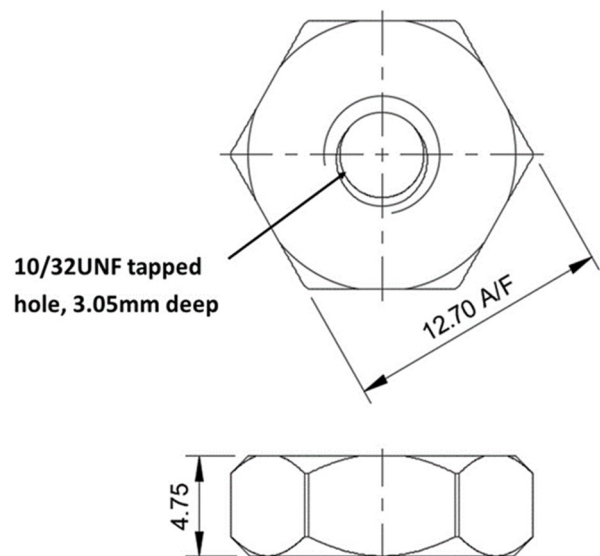
The lightweight nature of the mount makes it ideal for use with miniature accelerometers.

Kemo can supply a range of adaptor studs for use with the KMISO-ADH making it flexible for use with a wide range of different manufacturer sensors

KMS-1028 - 1/4-28UNF thread
KMS-10M6 – M6 thread
KMS-10M5 – M5 thread
KMS-1010S – 10/32UNF thread
KMS-1054 – 5-40UNC thread

Note:

When using adhesive mounts with dynamic devices such as accelerometers, careful consideration should be applied to the type of adhesive used and its potential affect on frequency response.



Due to continued product development Kemo Limited reserve the right to change specification without notice.

Kemo Limited

First Floor, 33 King Street, Thetford, Norfolk, IP24 2AW, United Kingdom

+44 (0)1474 705168

www.kemo.com sales@kemo.com