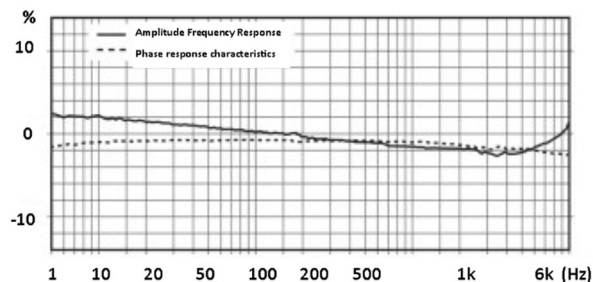
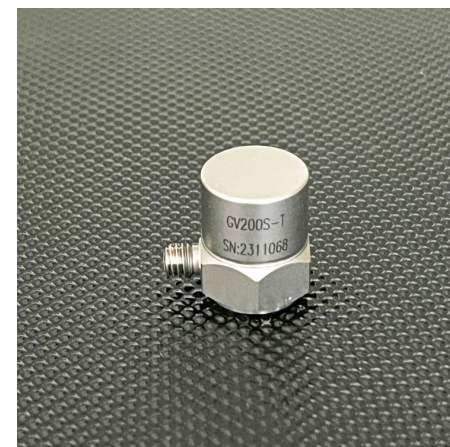
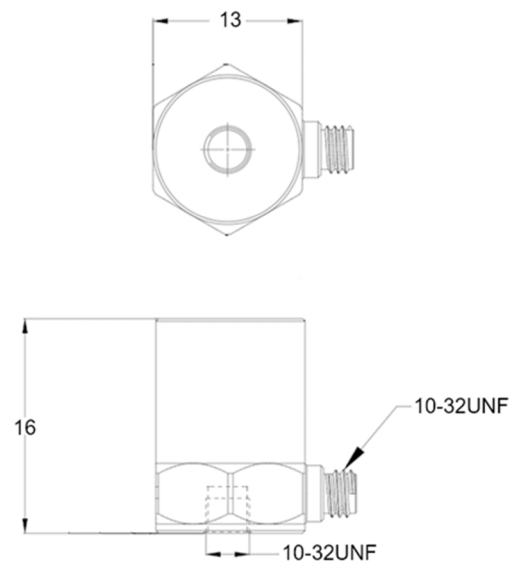


- General Purpose IEPE Accelerometer
- Shear design
- Piezoelectric ceramic PZT-5
- Sensitivity – 200mV/g
- Mass – 14.8grams
- 10-32UNF side entry connector
- 10-32UNF Tapped base

The GV200S-T is a general purpose monoaxial IEPE accelerometer with a side entry 10/32UNF microdot connector and a tapped base for stud mounting. Featuring a shear design PZT-5 sensing element the GV200S-T is widely used a control accelerometer for vibration shaker testing as well as general vibration measurements where mass is less of an issue.

Specification	Metric	Imperial
Sensitivity	20.4mV/(m/s <sup>2</sup> )	200mV/g
Measurement Range (pk)	±245m/s <sup>2</sup>	±25g
Frequency Range ±10%	0.5 to 6000 Hz	
Resonant Frequency	≥25 kHz	
Non-Linearity	≤1 %	
Transverse Sensitivity	≤5 %	
Electrical Noise Floor	0.0005m/s <sup>2</sup> rms	0.00005g rms
Overload Limit (Shock)	±4900(m/s <sup>2</sup> )pk	±500gpk
Operating Temp. Range	-55 to +125°C	-67 to +257°F
Polarity ↑	Positive	
Compliance Voltage (Supply)	+18 to +28 VDC	
Current range	2 – 10mA	
Output Bias Voltage	11VDC ± 1.5VDC	
Output Impedance	≤100Ω	
Size (excluding connector)	13mmA/Fx16 mm	0.51”A/Fx0.62”
Weight	14.8gm	0.52oz
Sensing Geometry	Shear	
Sensing Element Material	PZT-5	
Case Material	Titanium	
Connector Position	Side	
Case sealing	Hermetic	
Electrical Connection Type	10-32UNF Microdot	
Mounting	10-32UNF Tapped base for stud mount	



Kemo has a range of cable assemblies available for use with the GV200S-T and other IEPE accelerometers.

1B2-30 – 3m(10ft) 10/32UNF microdot to BNC plug  
 1B2-50 – 5m(15ft) 10/32UNF microdot to BNC plug  
 1B1-30 – 3m(10ft) 10/32UNFmdot to 10/32UNFmdot  
 1B1-50 – 5m(15ft) 10/32UNFmdot to 10/32UNFmdot

### Kemo Limited

First Floor, 33 King Street, Theford, Norfolk, IP24 2AW, United Kingdom  
 +44 (0)1474 705168

[www.kemo.com](http://www.kemo.com) [sales@kemo.com](mailto:sales@kemo.com)