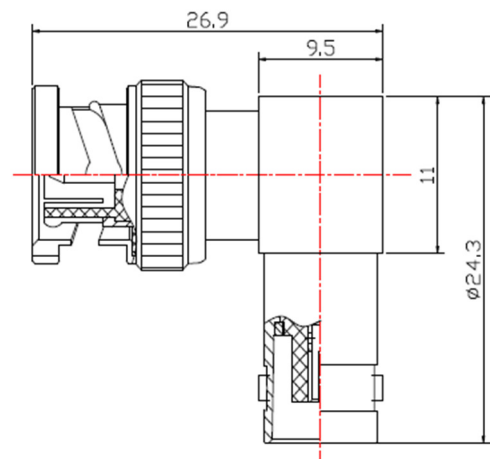


- Compact design
- BNC Right Angle joiner
- Joiner
- Quality long life
- Nickel plated brass body
- Gold plated conductor/pin



The Kemo KRAB-A right angle joiner is a compact and high quality joiner widely used in data acquisition and sensor measurement applications. Ideally suited when an instrument panel has limited space, the KRAB-A can provide an alternative connection option.

The body is made from brass and is fully nickel plated and the critical connections are gold plated.



Dimensions in mm

Variable	Value
<b>Electrical</b>	
Impedance	50Ω
Frequency Range	0 ~ 1GHz
Working Voltage (max.)	500V max
Withstand Voltage	1500Vrms
Insulation Resistance	≥5000MΩ
VSWR (Voltage Standing Wave Ratio)	≤1.22
<b>Physical</b>	
Body	Nickel Plated Brass
Centre Conductor	Gold plated brass
Insulator	PTFE
Temperature Range	-55°C to +155°C
Durability	>500 connections

Due to continued product development Kemo Limited reserve the right to change specification without notice.

### Kemo Limited

First Floor, 33 King Street, Thetford, Norfolk, IP24 2AW, United Kingdom

+44 (0)1474 705168

[www.kemo.com](http://www.kemo.com) [sales@kemo.com](mailto:sales@kemo.com)