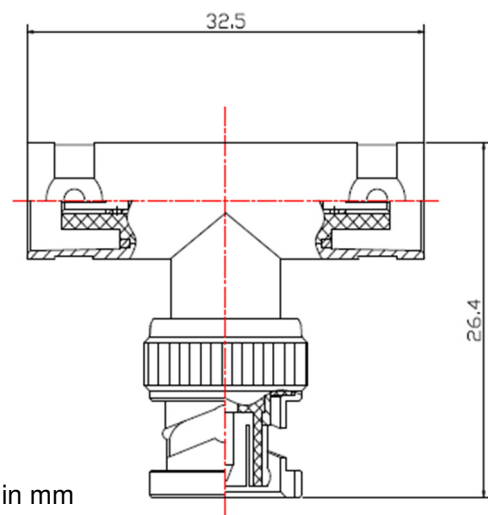


- Compact design
- BNC 'T' joiner
- Joiner
- Quality long life
- Nickel plated brass body
- Gold plated conductor/pin



The Kemo KBT-A 'T' joiner is a compact and high quality joiner widely used in data acquisition and sensor measurement applications. Featuring 2 female sockets connected to a single male plug in a 'T' configuration, this connector is ideal for joining multiple cables.

The body is made from brass and is fully nickel plated and the critical signal connections are gold plated.



Dimensions in mm

Variable	Value
Electrical	
Impedance	50Ω
Frequency Range	0 ~ 1GHz
Working Voltage (max.)	500V max
Withstand Voltage	1500Vrms
Insulation Resistance	≥5000MΩ
VSWR (Voltage Standing Wave Ratio)	≤1.22
Physical	
Body	Nickel Plated Brass
Centre Conductor	Gold plated brass
Insulator	PTFE
Temperature Range	-55°C to +155°C
Durability	>500 connections

Due to continued product development Kemo Limited reserve the right to change specification without notice.

Kemo Limited

First Floor, 33 King Street, Thetford, Norfolk, IP24 2AW, United Kingdom

+44 (0)1474 705168

www.kemo.com sales@kemo.com