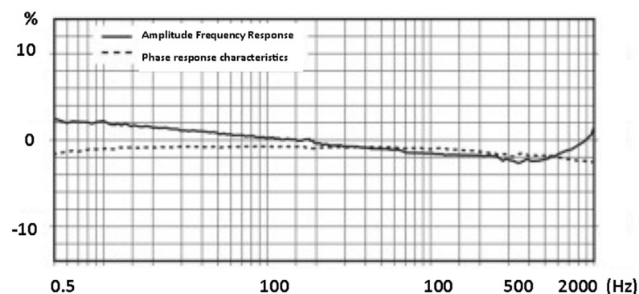
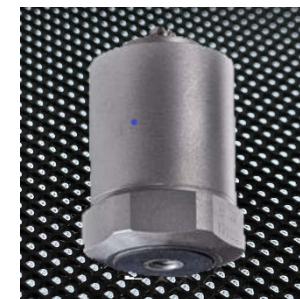
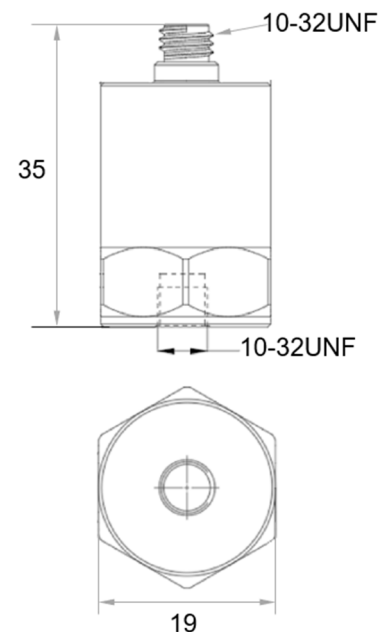


- High Sensitivity IEPE Accelerometer
- Shear design
- Piezoelectric ceramic PZT-5
- Sensitivity – 1V/g
- Mass – 68 grams
- 10/32UNF top entry connector
- 10/32UNF Tapped base

The HV1KM-T is a high sensitivity monoaxial IEPE accelerometer with a top entry 10/32UNF microdot connector and a tapped base for stud mounting.

Featuring a shear design PZT-5 sensing element the HV1KM-T is widely used in applications where very low amplitude vibration must be measured, they are also widely used in seismic, building surveys and other ground borne vibration studies.

Specification	Metric	Imperial
Sensitivity	102mV/(m/s ²)	1V/g
Measurement Range (pk)	±49m/s ²	±5g
Frequency Range ±10%	0.2 to 3000 Hz	
Resonant Frequency	≥13 kHz	
Non-Linearity	≤1 %	
Transverse Sensitivity	≤5 %	
Electrical Noise Floor	0.0001m/s ² rms	0.00001g rms
Overload Limit (Shock)	±980(m/s ²)pk	±100gpk
Operating Temp. Range	-55 to +125°C	-67 to +257°F
Polarity ↑	Positive	
Compliance Voltage (Supply)	+18 to +28 VDC	
Current range	2 – 20mA	
Output Bias Voltage	10VDC ± 2VDC	
Output Impedance	≤100Ω	
Size (excluding connector)	19mmA/Fx35 mm	0.74"A/Fx1.37"
Weight	68gm	2.39oz
Sensing Geometry	Shear	
Sensing Element Material	PZT-5	
Case Material	Stainless steel	
Connector Position	Top	
Case sealing	Welded	
Electrical Connection Type	10/32UNF microdot	
Mounting	10/32UNF Tapped base for stud mount	



Cables for use with HV1KM-T

- 1A2-50 – 5m low noise cable, 10/32UNF Mdot to BNC plug
- 1B2-50 – 5m IEPE cable, 10/32UNF Mdot to BNC plug

Cables of any length available

Kemo Limited

Unit 1, Dene Yard
Green Street Green Road,
Dartford, Kent. DA2 8DH

www.kemo.com sales@kemo.com

Iss.1 – November 2023