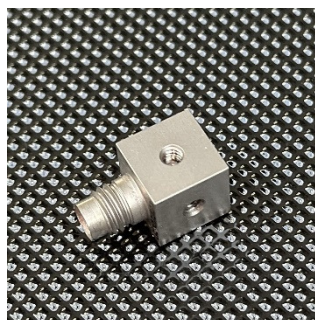
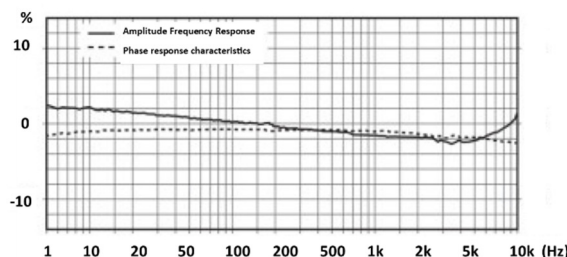
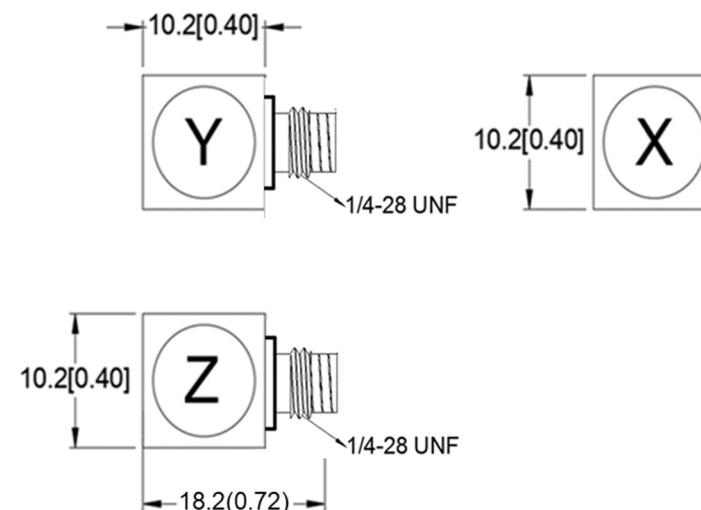


- Miniature Triaxial IEPE Accelerometer
- Sensitivity – 10mV/g
- Shear design
- Piezoelectric ceramic PZT-5
- Mass – 3.9grams
- 1/4-28UNF side entry 4 pin connector
- 5-40UNC tapped base for mounting

Specification	Metric	Imperial
Sensitivity	1.02mV/(m/s ²)	10mV/g
Measurement Range (pk)	±4900m/s ²	±500g
Frequency Range ±10%	(Y, Z) 1 to 8000Hz (X) 1 to 7000Hz	
Resonant Frequency	≥45 kHz	
Non-Linearity	≤1 %	
Transverse Sensitivity	≤5 %	
Electrical Noise Floor	0.01m/s ² rms	0.001g rms
Overload Limit (Shock)	±49000(m/s ²)pk	±5000gpk
Operating Temp. Range	-55 to +125°C	-67 to +257°F
Compliance Voltage (Supply)	+18 to +28 VDC	
Current range	2 – 10mA	
Output Bias Voltage	11VDC ± 1.5VDC	
Size (excluding connector)	10.2x10.2x10.2 (mm)	0.40x0.40x0.40 (in)
Weight	3.9gm	0.138oz
Sensing Geometry	Shear	
Sensing Element Material	PZT-5	
Case Material	Titanium	
Connector Position	Side	
Case sealing	Hermetic	
Electrical Connection Type	1/4-28UNF 4 pin	
Mounting	5-40UNC tapped base	



The SVT10S-T is a miniature triaxial IEPE accelerometer for use where mass loading is potentially an issue and should be minimised. At just 10.2mm cube and 3.9 grams it has an excellent frequency response. The standard 1/4-28UNF 4 pin connector offers an improved compatibility with customers existing cables.



Kemo has a range of cable assemblies available for use with the SVT10S-T

- 7F82-50 – 5m cable ending in 3 x BNC plugs (X, Y, Z)
- 7F82-30 - 3m cable ending in 3 x BNC plugs (X, Y, Z)
- 7F81-50 - 5m cable ending in 3 x microdot plugs (X, Y, Z)
- 7F81-30 - 3m cable ending in 3 x microdot plugs (X, Y, Z)

Kemo Limited

Unit 1, Dene Yard
Green Street Green Road,
Dartford, Kent. DA2 8DH

www.kemo.com sales@kemo.com

Iss.1 – May 2023