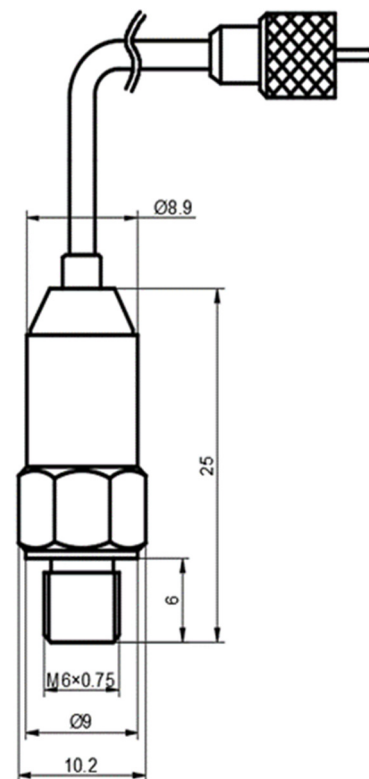


- Shock Piezoelectric Accelerometer
- Shear design
- Piezoelectric ceramic PZT-5
- Sensitivity – 0.05pC/g
- Range ±100,000g
- 0.5m Integral cable
- Use with a Low noise cable

The CS-100K is a monoaxial piezoelectric charge output accelerometer specifically developed for shock testing applications. With a measurement range of ±100,000g it is well suited to harsh environment applications. The integral cable ensures minimal electrical connection issues and a reliable response. Kemo offers a range of low noise extension cables for use with the CS-100K in addition to low noise charge amplifier solutions for conversion of the charge output to voltage.

| Specification | Metric | Imperial |
|-------------------------------|---|------------------|
| Sensitivity | 0.005pC/(m/s ²) | 0.05pC/g |
| Measurement Range (pk) | ±980,000m/s ² | ±100000g |
| Frequency Range ±10% | 11000 Hz | |
| Resonant Frequency | ≥45 kHz | |
| Non-Linearity | ≤1 % | |
| Transverse Sensitivity | ≤5 % | |
| Overload Limit (Shock) | ±1,274,000(m/s ²)pk | ±130000gpk |
| Operating Temp. Range | -40 to +85°C | -40 to +185°F |
| Isolation | Case isolated | |
| Capacitance | 90pF | |
| Isolation Impedance | ≥100GΩ | |
| Size (excluding connector) | 10.2(A/F)x19mm | 0.40"(A/F)x0.75" |
| Weight | 4.3gm | 0.15oz |
| Sensing Geometry | Shear | |
| Sensing Element Material | PZT-5 | |
| Case Material | Titanium | |
| Connector Position | Top | |
| Case sealing | Welded | |
| Electrical Connection Type | 0.5m Int. cable with 10/32UNF microdot plug | |
| Mounting Thread (tapped base) | M6 x 0.75 | |
| Mounting Torque | 3Nm | 26in/lb |



It is recommended that the CS-100K is used with a low noise cable from Kemo's range to reduce triboelectric noise.

11A2-30 – 3m(10ft) 10/32UNF microdot socket to BNC plug
 11A2-50 – 5m(15ft) 10/32UNF microdot socket to BNC plug
 11A1-30 – 3m(10ft) 10/32UNFmdot socket to 10/32UNFmdot
 11A1-50 – 5m(15ft) 10/32UNFmdot socket to 10/32UNFmdot