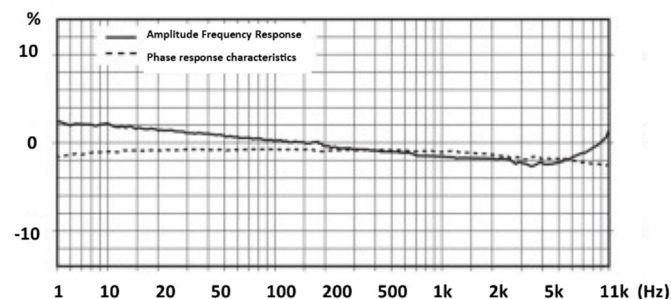
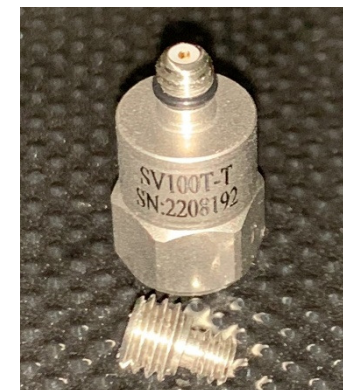
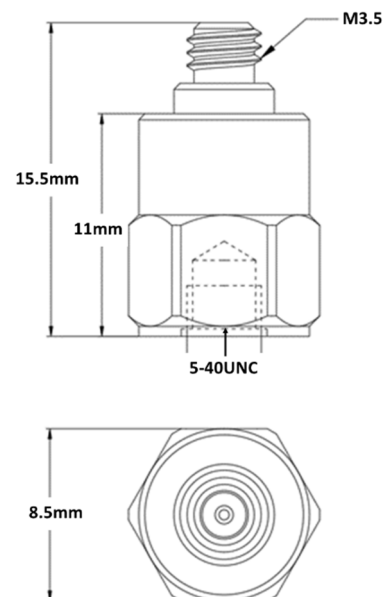


- Sub Miniature IEPE Accelerometer
- Shear design
- Piezoelectric ceramic PZT-5
- Sensitivity – 10mV/g
- Mass – 2.7grams
- M3.5 top entry connector
- Tapped base mount

The SV10T-T is a sub-miniature monoaxial IEPE accelerometer with a top entry M3.5 miniature microdot connector and a 5/40UNC tapped base for stud mounting. Featuring a shear design PZT-5 sensing element the SV10T-T provides high accuracy with wide bandwidth up to 10kHz

Specification	Metric	Imperial
Sensitivity	1.02mV/(m/s <sup>2</sup> )	10mV/g
Measurement Range (pk)	±4900m/s <sup>2</sup>	±500g
Frequency Range ±10%	1 to 10000 Hz	
Resonant Frequency	≥40 kHz	
Non-Linearity	≤1 %	
Transverse Sensitivity	≤5 %	
Electrical Noise Floor	0.009m/s <sup>2</sup> rms	0.000g rms
Overload Limit (Shock)	±49000(m/s <sup>2</sup> )pk	±5000gpk
Operating Temp. Range	-55 to +125°C	-67 to +257°F
Polarity ↑	Positive	
Compliance Voltage (Supply)	+18 to +28 VDC	
Current range	2 – 10mA	
Output Bias Voltage	11VDC ± 1.5VDC	
Size (including connector)	8.5(A/F)x15.5 mm	0.33”A/Fx0.61”
Weight	2.7gm	0.096oz
Sensing Geometry	Shear	
Sensing Element Material	PZT-5	
Case Material	Titanium	
Connector Position	Top	
Case sealing	Hermetic	
Electrical Connection Type	M3.5 Miniature Microdot	
Mounting	5-40 tapped base	



Kemo has a range of cable assemblies available for use with the SV10T-T and other IEPE accelerometers.

- 13B2-30 – 3m(10ft) M3.5 microdot to BNC plug
- 13B2-50 – 5m(15ft) M3.5 microdot to BNC plug
- 13B1-30 – 3m(10ft) M3.5 mdot to 10/32UNFmdot
- 13B1-50 – 5m(15ft) M3.5 mdot to 10/32UNFmdot

### Kemo Limited

Unit 1, Dene Yard  
Green Street Green Road,  
Dartford, Kent. DA2 8DH

[www.kemo.com](http://www.kemo.com) [sales@kemo.com](mailto:sales@kemo.com)