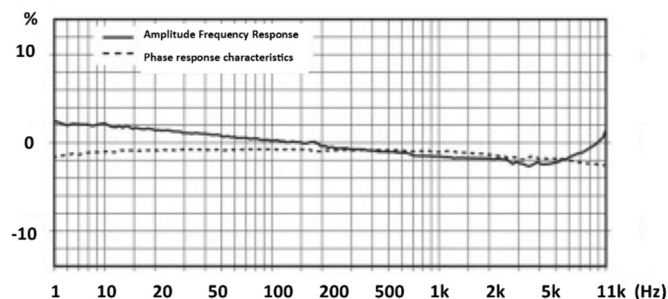
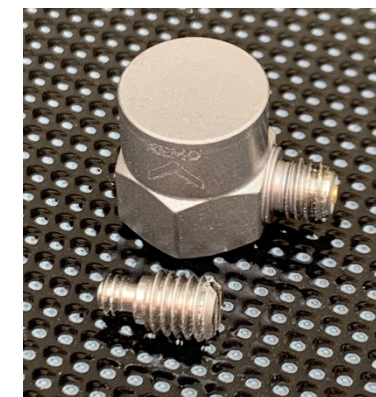
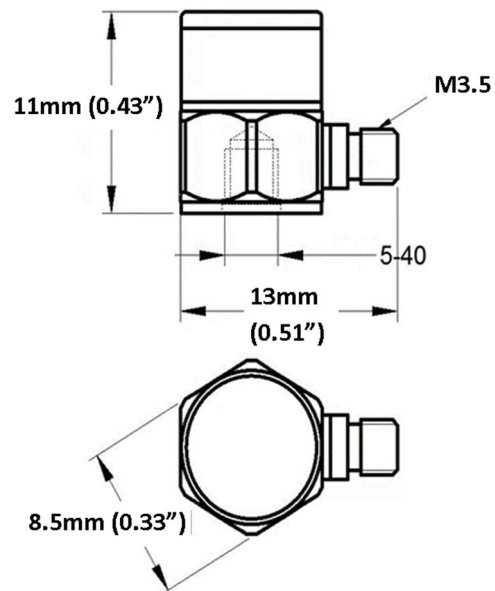


- Sub Miniature IEPE Accelerometer
- Shear design
- Piezoelectric ceramic PZT-5
- Sensitivity – 10mV/g
- Mass – 2.7grams
- M3.5 side entry connector
- Tapped base mount

The SV10S-T is a sub-miniature monoaxial IEPE accelerometer with a side entry M3.5 miniature microdot connector and a tapped base for stud mounting. Featuring a shear design PZT-5 sensing element the SV10S-T provides high accuracy with wide bandwidth up to 10kHz

| Specification | Metric | Imperial |
|-----------------------------|-----------------------------|-----------------|
| Sensitivity | 1.02mV/(m/s ²) | 10mV/g |
| Measurement Range (pk) | ±4900m/s ² | ±500g |
| Frequency Range ±10% | 1 to 10000 Hz | |
| Resonant Frequency | ≥40 kHz | |
| Non-Linearity | ≤1 % | |
| Transverse Sensitivity | ≤5 % | |
| Electrical Noise Floor | 0.01m/s ² rms | 0.001g rms |
| Overload Limit (Shock) | ±49000(m/s ²)pk | ±5000gpk |
| Operating Temp. Range | -55 to +125°C | -67 to +257°F |
| Polarity ↑ | Positive | |
| Compliance Voltage (Supply) | +18 to +28 VDC | |
| Current range | 2 – 10mA | |
| Output Bias Voltage | 11VDC ± 1.5VDC | |
| Size (excluding connector) | 8.5(A/F)x11 mm | 0.33" A/Fx0.43" |
| Weight | 2.7gm | 0.096oz |
| Sensing Geometry | Shear | |
| Sensing Element Material | PZT-5 | |
| Case Material | Titanium | |
| Connector Position | Side | |
| Case sealing | Hermetic | |
| Electrical Connection Type | M3.5 Miniature Microdot | |
| Mounting | 5-40 tapped base | |



Kemo has a range of cable assemblies available for use with the SV10S-T and other IEPE accelerometers.

13B2-30 – 3m(10ft) M3.5 microdot to BNC plug
 13B2-50 – 5m(15ft) M3.5 microdot to BNC plug
 13B1-30 – 3m(10ft) M3.5 mdot to 10/32UNFmdot
 13B1-50 – 5m(15ft) M3.5 mdot to 10/32UNFmdot

Kemo Limited

Unit 1, Dene Yard
 Green Street Green Road,
 Dartford, Kent. DA2 8DH

www.kemo.com sales@kemo.com

Iss.2 – December 2023