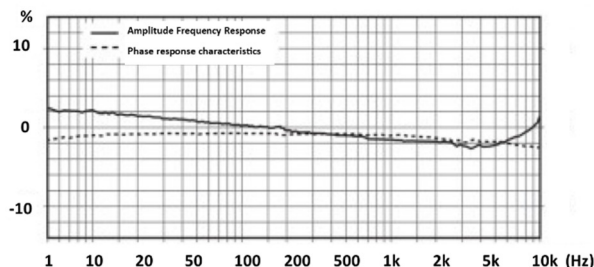
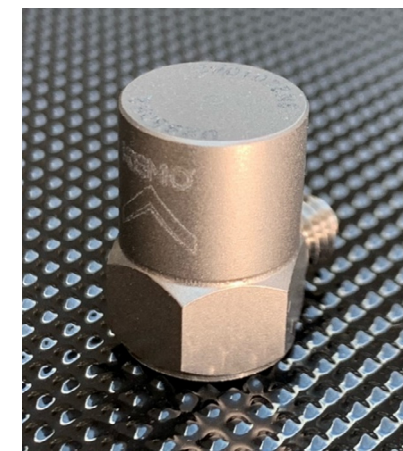
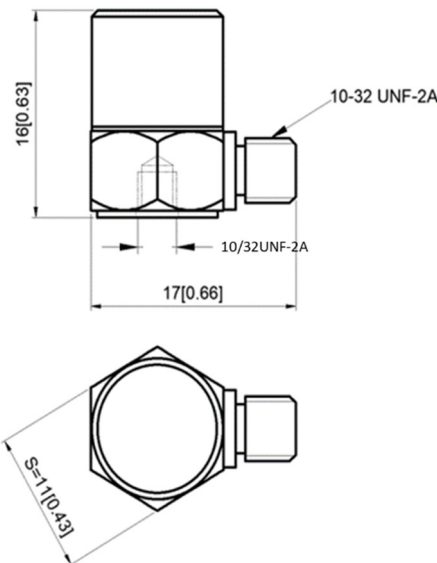


- General Purpose IEPE Accelerometer
- Shear design
- Piezoelectric ceramic PZT-5
- Sensitivity – 50mV/g
- Mass – 6.5grams
- 10-32UNF side entry connector
- 10-32UNF Tapped base

The GV50S-T is a general purpose monoaxial IEPE accelerometer with a side entry 10/32UNF microdot connector and a tapped base for stud mounting. Featuring a shear design PZT-5 sensing element the GV50S-T is widely used a control accelerometer for vibration shaker testing as well as general vibration measurements where mass is less of an issue.

Specification	Metric	Imperial
Sensitivity	5.10mV/(m/s ²)	50mV/g
Measurement Range (pk)	±980m/s ²	±100g
Frequency Range ±10%	1 to 8000 Hz	
Resonant Frequency	≥30 kHz	
Non-Linearity	≤1 %	
Transverse Sensitivity	≤5 %	
Electrical Noise Floor	0.002m/s ² rms	0.0002g rms
Overload Limit (Shock)	±49000(m/s ²)pk	±5000gpk
Operating Temp. Range	-55 to +125°C	-67 to +257°F
Polarity ↑	Positive	
Compliance Voltage (Supply)	+18 to +28 VDC	
Current range	2 – 10mA	
Output Bias Voltage	11VDC ± 1.5VDC	
Output Impedance	≤100Ω	
Size (excluding connector)	11mmA/Fx16 mm	0.43"A/Fx0.63"
Weight	6.5gm	0.229oz
Sensing Geometry	Shear	
Sensing Element Material	PZT-5	
Case Material	Titanium	
Connector Position	Side	
Case sealing	Hermetic	
Electrical Connection Type	10-32UNF Microdot	
Mounting	10-32UNF Tapped base for stud mount	



Kemo has a range of cable assemblies available for use with the GV50S-T and other IEPE accelerometers.

- 1B2-30 – 3m(10ft) 10/32UNF microdot to BNC plug
- 1B2-50 – 5m(15ft) 10/32UNF microdot to BNC plug
- 1B1-30 – 3m(10ft) 10/32UNFmdot to 10/32UNFmdot
- 1B1-50 – 5m(15ft) 10/32UNFmdot to 10/32UNFmdot

Kemo Limited

Unit 1, Dene Yard
Green Street Green Road,
Dartford, Kent. DA2 8DH

www.kemo.com sales@kemo.com