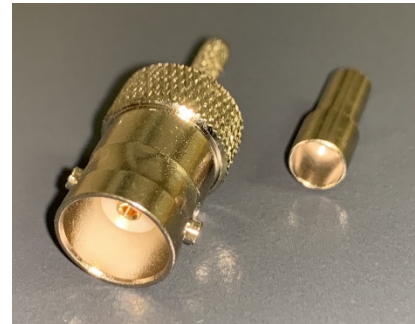


- BNC Female Socket
- Gold plated pin
- Nickel plated body
- PTFE Insulator
- Crimp sleeve
- RG174 cable (approx. 2mm dia)
- EasyFit



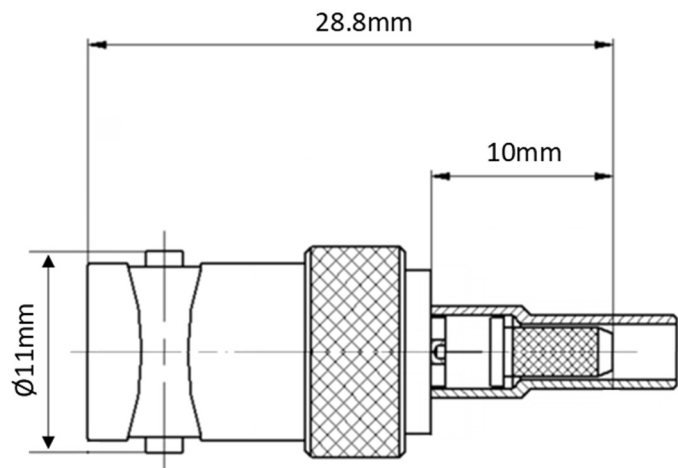
Dimensions in mm

The KBNC-S is a high quality BNC crimp socket for RG174 cable

Used by Kemo Ltd as its primary BNC socket connector on all its cable assemblies, this connector can also be purchased as a self-fit connector to make your own cable assemblies.

Stock item

Note: Kemo strain relief boot not supplied in self fit kit, available as an option



Variable	Value
Electrical	
Impedance	50Ω
Frequency Range	0 ~ 3GHz
Working Voltage (max.)	500V max
Withstand Voltage	1500Vrms
Insulation Resistance	≥5000MΩ
VSWR (Voltage Standing Wave Ratio)	≤1.22
Physical	
Body	Nickel Plated Brass
Centre Conductor	Gold plated brass
Insulator	PTFE
Crimping body	Nickel plated copper alloy
Temperature Range	-55°C to +125°C
Durability	>500 connections

Due to continued product development Kemo Limited reserve the right to change specification without notice.