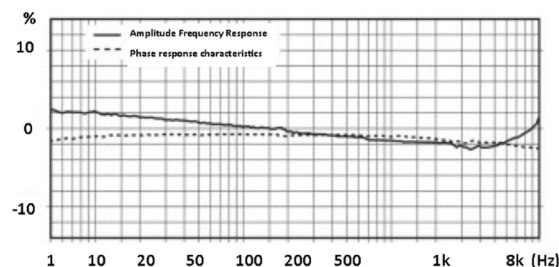
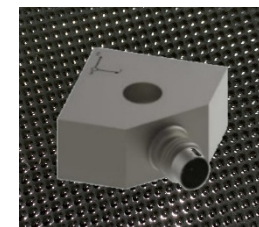
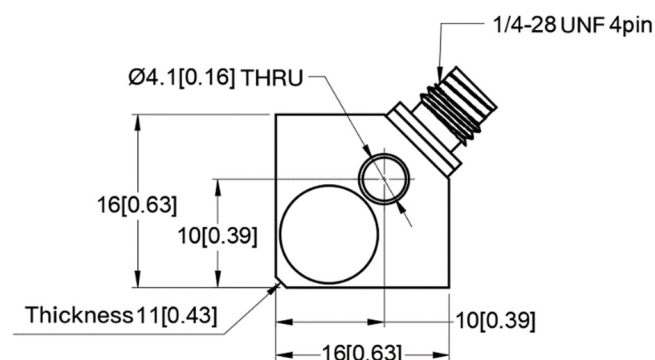


- Triaxial IEPE Accelerometer
- Sensitivity – 200mV/g
- Shear design
- Piezoelectric ceramic PZT-5
- Mass - 12grams
- 1/4-28UNF side entry 4 pin connector
- Through hole mounting

The GVT200S-H is a general purpose triaxial IEPE accelerometer for the measurement of broad band vibration in a wide range of vibration test applications, its small size and low mass make it an ideal all rounder. The Through hole mounting allows for directional control of the connector when mounting.

Specification	Metric	Imperial
Sensitivity	20.4mV/(m/s ²)	200mV/g
Measurement Range (pk)	±245m/s ²	±25g
Frequency Range ±10%	1 to 8000 Hz	
Resonant Frequency	≥25 kHz	
Non-Linearity	≤1 %	
Transverse Sensitivity	≤5 %	
Electrical Noise Floor	0.0005m/s ² rms	0.00005g rms
Overload Limit (Shock)	±49000(m/s ²)pk	±5000gpk
Operating Temp. Range	-55 to +125°C	-67 to +257°F
Compliance Voltage (Supply)	+18 to +28 VDC	
Current range	2 – 10mA	
Output Bias Voltage	11VDC ± 1.5VDC	
Size (excluding connector)	16x16x11 (mm)	0.63x0.63x0.43 (in)
Weight	12gm	0.423oz
Sensing Geometry	Shear	
Sensing Element Material	PZT-5	
Case Material	Titanium	
Connector Position	Side	
Case sealing	Hermetic	
Electrical Connection Type	1/4-28UNF 4 pin	
Mounting	Ø4.1mm (0.16") through hole	



Kemo has a range of cable assemblies available for use with the GVT200S-H

- 7F82-50 – 5m cable ending in 3 x BNC plugs (X, Y, Z)
- 7F82-30 - 3m cable ending in 3 x BNC plugs (X, Y, Z)
- 7F81-50 - 5m cable ending in 3 x microdot plugs (X, Y, Z)
- 7F81-30 - 3m cable ending in 3 x microdot plugs (X, Y, Z)

Kemo Limited

Unit 1, Dene Yard
Green Street Green Road,
Dartford, Kent. DA2 8DH

www.kemo.com sales@kemo.com