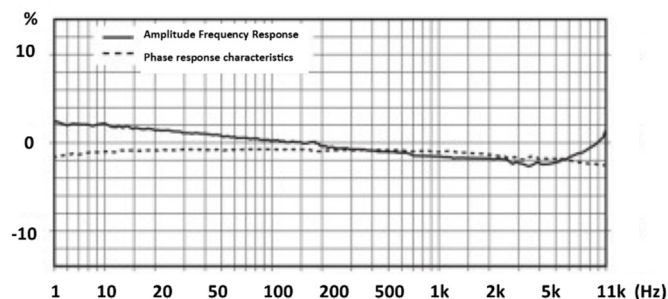
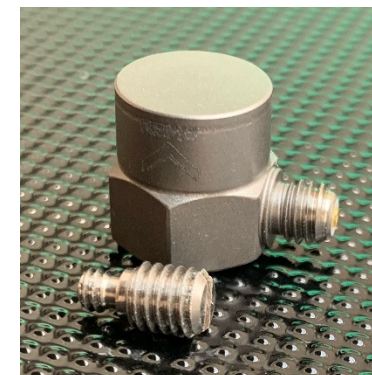
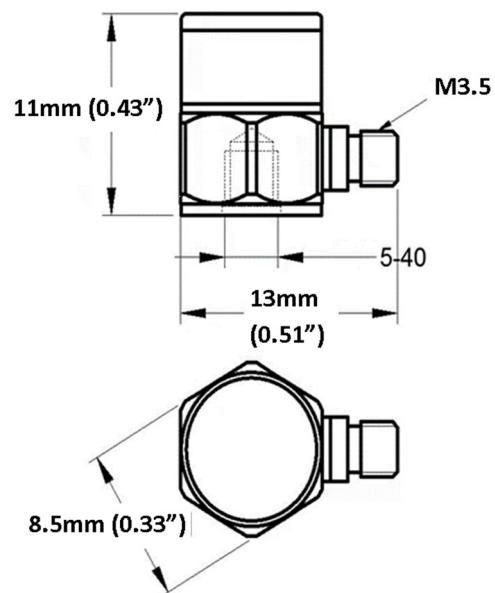


- Sub Miniature IEPE Accelerometer
- Shear design
- Piezoelectric ceramic PZT-5
- Sensitivity – 100mV/g
- Mass – 3.8grams
- M3.5 side entry connector
- Tapped base mount

The SV100S-T is a sub-miniature monoaxial IEPE accelerometer with a side entry M3.5 miniature microdot connector and a tapped base for stud mounting. Featuring a shear design PZT-5 sensing element the SV100S-T provides high accuracy with wide bandwidth up to 11kHz

Specification	Metric	Imperial
Sensitivity	10.2mV/(m/s <sup>2</sup> )	100mV/g
Measurement Range (pk)	±490m/s <sup>2</sup>	±50g
Frequency Range ±10%	1 to 11000 Hz	
Resonant Frequency	≥40 kHz	
Non-Linearity	≤1 %	
Transverse Sensitivity	≤5 %	
Electrical Noise Floor	0.001m/s <sup>2</sup> rms	0.0001g rms
Overload Limit (Shock)	±49000(m/s <sup>2</sup> )pk	±5000gpk
Operating Temp. Range	-55 to +125°C	-67 to +257°F
Polarity ↑	Positive	
Compliance Voltage (Supply)	+18 to +28 VDC	
Current range	2 – 10mA	
Output Bias Voltage	11VDC ± 1.5VDC	
Size (excluding connector)	8.5(A/F)x11 mm	0.33" A/Fx0.43"
Weight	3.8gm	0.134oz
Sensing Geometry	Shear	
Sensing Element Material	PZT-5	
Case Material	Titanium	
Connector Position	Side	
Case sealing	Hermetic	
Electrical Connection Type	M3.5 Miniature Microdot	
Mounting	5-40 tapped base	



Kemo has a range of cable assemblies available for use with the SV100S-T and other IEPE accelerometers.

13B2-30 – 3m(10ft) M3.5 microdot to BNC plug  
 13B2-50 – 5m(15ft) M3.5 microdot to BNC plug  
 13B1-30 – 3m(10ft) M3.5 mdot to 10/32UNFmdot  
 13B1-50 – 5m(15ft) M3.5 mdot to 10/32UNFmdot

**Kemo Limited**

Unit 1, Dene Yard  
 Green Street Green Road,  
 Dartford, Kent. DA2 8DH

[www.kemo.com](http://www.kemo.com) [sales@kemo.com](mailto:sales@kemo.com)

Iss.1 – February 2022