

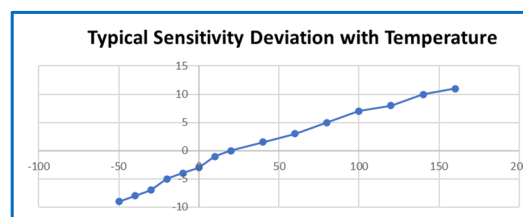
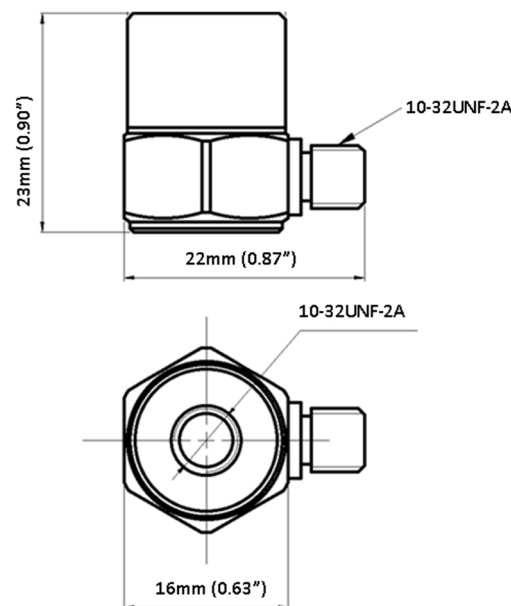
- High sensitivity Piezoelectric Accelerometer
- Shear design
- Piezoelectric ceramic PZT-5
- Sensitivity – 200pC/g
- Mass - 30grams
- 10-32UNF side entry connector
- Use with a Low noise cable

The GC200S-T is a high sensitivity monoaxial piezoelectric accelerometer with a side entry 10/32UNF microdot connector.

The base of the accelerometer has a tapped hole with a 10/32UNF thread for compatibility with many industry applications.

Featuring a shear design PZT-5 sensing element the GC200S-T is supplied with a standard 10/32UNF mounting stud (other studs are available on request).

Specification	Metric	Imperial
Sensitivity	20.4pC/(m/s <sup>2</sup> )	200pC/g
Measurement Range (pk)	±4900m/s <sup>2</sup>	±500g
Frequency Range ±10%	5000 Hz	
Resonant Frequency	≥20 kHz	
Non-Linearity	≤1 %	
Transverse Sensitivity	≤5 %	
Overload Limit (Shock)	±49033(m/s <sup>2</sup> )pk	±5000gpk
Operating Temp. Range	-54 to +150°C	-65 to +302°F
Polarity ↑	Positive	
Capacitance	700 pF	
Insulation Resistance	>1X10 <sup>11</sup> Ω	
Size (excluding connector)	16(A/F)x23 mm	0.63"(A/F)x0.90"
Weight	30gm	1.06oz
Sensing Geometry	Shear	
Sensing Element Material	PZT-5	
Case Material	Titanium	
Connector Position	Side	
Case sealing	Welded	
Electrical Connection Type	10-32UNF Microdot	
Mounting Thread (tapped base)	10-32UNF	
Mounting Torque	3Nm	26in/lb



It is recommended that the GC200S-T is used with a low noise cable from Kemo's range to reduce triboelectric noise.

- 1A2-30 – 3m(10ft) 10/32UNF microdot to BNC plug
- 1A2-50 – 5m(15ft) 10/32UNF microdot to BNC plug
- 1A1-30 – 3m(10ft) 10/32UNFmdot to 10/32UNFmdot
- 1A1-50 – 5m(15ft) 10/32UNFmdot to 10/32UNFmdot

**Kemo Limited**

Unit 1, Dene Yard  
Green Street Green Road,  
Dartford, Kent. DA2 8DH

[www.kemo.com](http://www.kemo.com) [sales@kemo.com](mailto:sales@kemo.com)