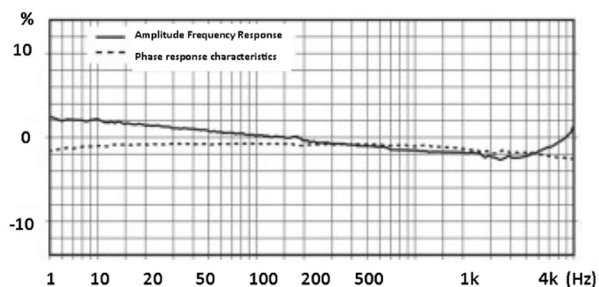
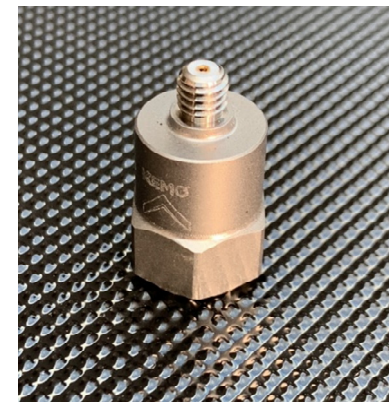
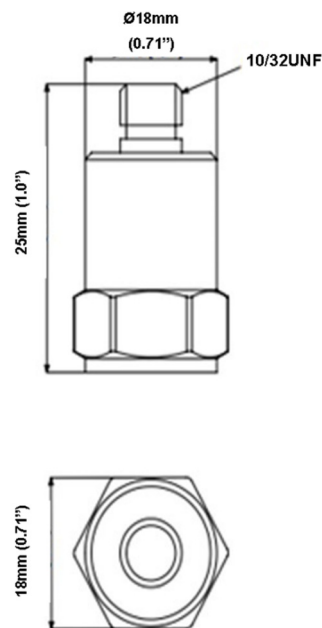


- General Purpose IEPE Accelerometer
- Shear design
- Piezoelectric ceramic PZT-5
- Sensitivity – 500mV/g
- Mass – 15grams
- 10-32UNF top entry connector
- 10-32UNF Tapped base

The GV500T-T is a general purpose monoaxial IEPE accelerometer with a top entry 10/32UNF microdot connector and a tapped base for stud mounting. Featuring a shear design PZT-5 sensing element the GV500T-T is widely used a control accelerometer for vibration shaker testing as well as general vibration measurements where mass is less of an issue.

Specification	Metric	Imperial
Sensitivity	51mV/(m/s ²)	500mV/g
Measurement Range (pk)	±98m/s ²	±10g
Frequency Range ±10%	0.5 to 4000 Hz	
Resonant Frequency	≥25 kHz	
Non-Linearity	≤1 %	
Transverse Sensitivity	≤5 %	
Electrical Noise Floor	0.0002m/s ² rms	0.00002g rms
Overload Limit (Shock)	±49000(m/s ²)pk	±5000gpk
Operating Temp. Range	-55 to +125°C	-67 to +257°F
Polarity ↑	Positive	
Compliance Voltage (Supply)	+18 to +28 VDC	
Current range	2 – 10mA	
Output Bias Voltage	11VDC ± 1.5VDC	
Output Impedance	≤100Ω	
Size (excluding connector)	18mmA/Fx25 mm	0.71" A/Fx1.0"
Weight	15gm	0.53oz
Sensing Geometry	Shear	
Sensing Element Material	PZT-5	
Case Material	Titanium	
Connector Position	Top	
Case sealing	Hermetic	
Electrical Connection Type	10-32UNF Microdot	
Mounting	10-32UNF Tapped base for stud mount	



Kemo has a range of cable assemblies available for use with the GV500T-T and other IEPE accelerometers.

1B2-30 – 3m(10ft) 10/32UNF microdot to BNC plug
 1B2-50 – 5m(15ft) 10/32UNF microdot to BNC plug
 1B1-30 – 3m(10ft) 10/32UNFmdot to 10/32UNFmdot
 1B1-50 – 5m(15ft) 10/32UNFmdot to 10/32UNFmdot

Kemo Limited

Unit 1, Dene Yard
 Green Street Green Road,
 Dartford, Kent. DA2 8DH

www.kemo.com sales@kemo.com