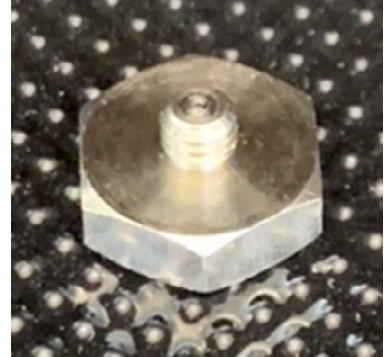


- Flat base for adhesive mounting
- Lightweight – 1.9gm
- Stainless steel
- -70°C to +200°C range
- 5/40UNC stud
- 9.52mm Across flats

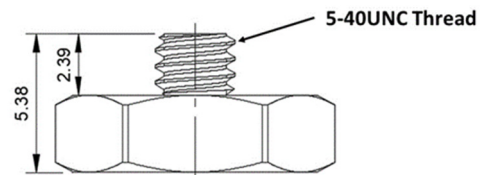
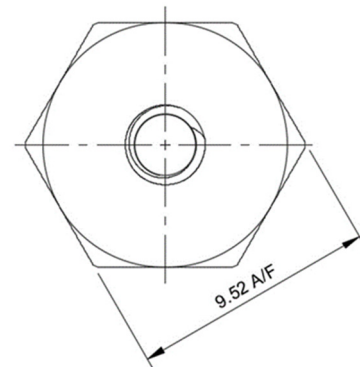


The KMS-ADH2 is an adhesive mount for use with smaller accelerometers which feature a 5-40UNC tapped hole for mounting purposes.

The flat base can be screwed directly into the accelerometer and provides the perfect solution for adhesive mounting.

Note:

When using adhesive mounts with dynamic devices such as accelerometers, careful consideration should be applied to the type of adhesive used and its potential affect on frequency response.



Due to continued product development Kemo Limited reserve the right to change specification without notice.