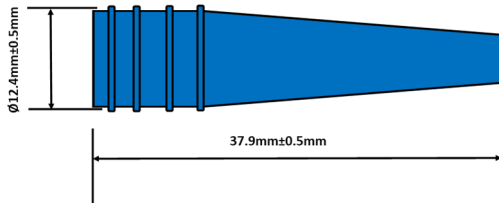
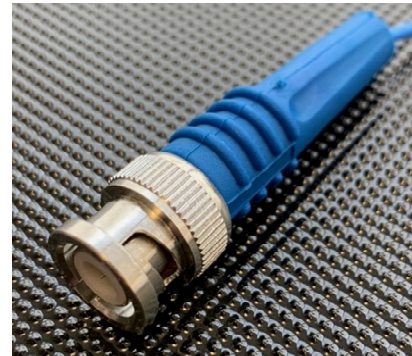
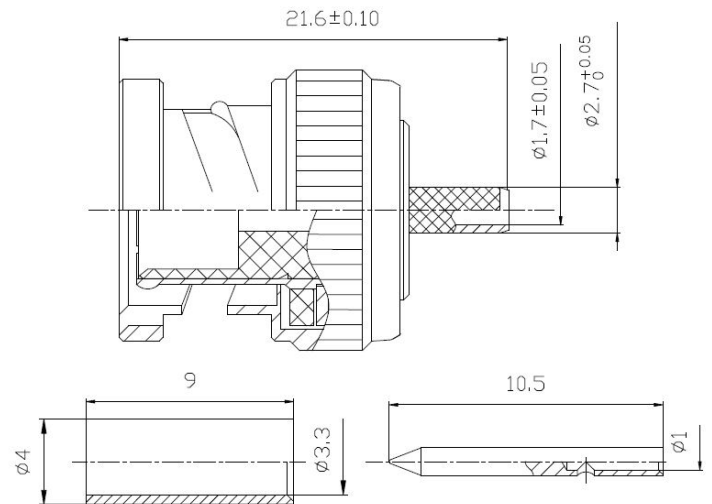


- Unique easy to fit design
- Gold plated pin
- Nickel plated body
- IEC60169-8
- CECC22120
- Crimp sleeve
- RG174 cable



Dimensions in mm



The KBNC-P is a high quality BNC crimp plug for RG174 cable

Used by Kemo Ltd as its primary BNC connector on all its cable assemblies, this connector can also be purchased as a self-fit connector to make your own cable assemblies.

Stock item

Variable	Value
Electrical	
Impedance	50Ω
Frequency Range	0 ~ 3GHz
Working Voltage (max.)	500V max
Withstand Voltage	1500Vrms
Insulation Resistance	≥5000MΩ
VSWR (Voltage Standing Wave Ratio)	≤1.22
Physical	
Body	Nickel Plated Brass
Centre Conductor	Gold plated brass
Insulator	PTFE
Crimping body	Nickel plated copper alloy
Temperature Range	-55°C to +155°C
Durability	>500 connections

Due to continued product development Kemo Limited reserve the right to change specification without notice.